

Instructions for use

epT.I.P.S. Motion Reloads

English (EN)

Before using the accessories for the first time, read these instructions for use. Also read the operating manual of the device the accessories are used with.

1 Product description

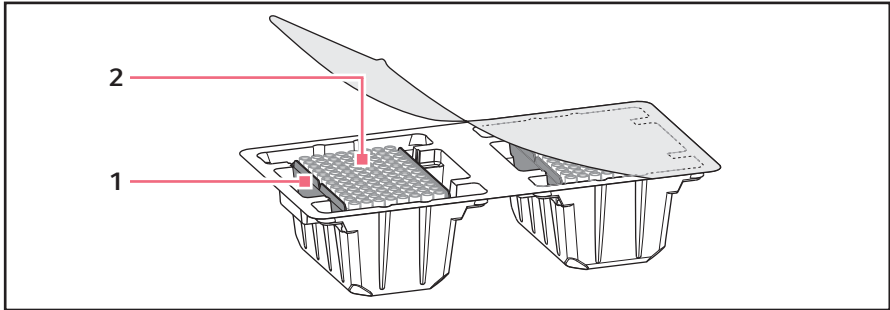


Fig. 1: epT.I.P.S. Motion Reloads

1 Tray

2 Pipette tips epT.I.P.S. Motion

epT.I.P.S. Motion Reloads consist of a tray with 96 pipette tips epT.I.P.S. Motion.

epT.I.P.S. Motion Reloads can be used with the epMotion and the epMotion 96.

Size of the pipette tips	epMotion	epMotion 96
10 µL	×	–
50 µL	×	×
300 µL	×	×
1000 µL	×	–

The tray of the epT.I.P.S. Motion Reloads is coded. With the coding, the epMotion and epMotion 96 identify the size of the pipette tips. The epMotion also determines if the pipette tips have a filter.

In the epMotion, the trays of the epT.I.P.S. Motion Reloads are placed in reusable TipHolders. You do not need racks, waste is reduced.

In the epMotion 96, epT.I.P.S. Motion Reloads are placed in a loading frame.

epT.I.P.S. stands for "**E**ppendorf **T**otally **I**ntegrated **P**ipetting **S**ystem".

You can find further information in the operating manuals of the epMotion and epMotion 96.

2 Instructions for use

epT.I.P.S. Motion Reloads English (EN)

2 Safety

2.1 Intended use

epT.I.P.S. Motion are transparent pipette tips for use on the ep*Motion* and the ep*Motion 96*. epT.I.P.S. Motion are available as Reloads.

epT.I.P.S. Motion of size 10 µL may only be used on devices ep*Motion 5070*, ep*Motion 5073*, ep*Motion 5075*.

epT.I.P.S. Motion Reloads are intended for single use.

The products can be used for training, routine and research laboratories in the areas of life sciences, industry or chemistry. This product is intended to be used for research purposes only. Eppendorf AG does not provide a warranty for other applications. The products are not suitable for use in diagnostic or therapeutic applications.

The products may only be used by skilled personnel who have been trained in the areas mentioned above.

2.2 Safety instructions



WARNING! Damage to health due to infectious liquids and pathogenic germs.

- ▶ When handling infectious liquids and pathogenic germs, observe the national regulations, the biological security level of your laboratory, the Material Safety Data Sheets, and the manufacturer's application notes.
- ▶ Wear your personal protective equipment.
- ▶ For comprehensive regulations about handling germs or biological material of risk group II or higher, please refer to the "Laboratory Biosafety Manual" (source: World Health Organization, Laboratory Biosafety Manual, in its respectively current valid version).



NOTICE! Dispensing error due to incorrect handling of pipette tips.

Tips become deformed and change size during autoclaving.

- ▶ Do not autoclave pipette tips. Use pipette tips specified as Sterile, if necessary.
- ▶ Do not stack racks that contain pipette tips.



NOTICE! Damage to pipette tips from aggressive chemicals.

Aggressive substances can damage the pipette tips.

- ▶ Check if the pipette tips are resistant to the used chemicals.
-

2.2.1 Safety instructions for use in the epMotion



WARNING! Danger due to flammable and infectious liquids in the waste container.

Pipette tips in the waste container may contain flammable or infectious liquids.

- ▶ Wear your personal protective equipment.
 - ▶ Handle the pipette tips and sample materials from the waste container in accordance with the Material Safety Data Sheets, safety regulations and laboratory guidelines.
-



NOTICE! Contamination due to the use of the wrong pipette tips.

The optical sensor does not detect whether the pipette tips on the worktable are intended for single use (epT.I.P.S. Motion Rack, epT.I.P.S. Motion Reload) or for multiple use (epT.I.P.S. Motion SafeRack).

- ▶ If you use pipette tips several times, equip the entire worktable with epT.I.P.S. Motion SafeRacks.
-



NOTICE! Wrong reservoir detection due to missing pipette tips.

The optical sensor checks the start position and end position of the pipette tips in the rack. The optical sensor does not check if pipette tips are missing in the center.

- ▶ Do not remove any pipette tips from the rack.
-

2.2.2 Safety instructions for use in the epMotion 96



NOTICE! Damage to the device due to incorrectly equipped trays.

The device detects the tip size using the coding of the trays. Incorrectly equipping the trays can cause contamination of pipetting head.

- ▶ Only use trays that were equipped by the manufacturer.
 - ▶ Do not equip the trays manually.
-

4 Instructions for use
epT.I.P.S. Motion Reloads
English (EN)

3 Operation

3.1 Inserting epT.I.P.S. Motion Reloads in the epMotion

3.1.1 Equipping the epMotion worktable

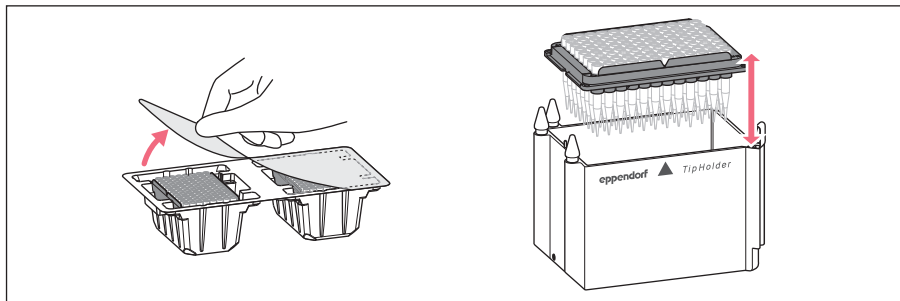


Fig. 2: Placing tray with epT.I.P.S. Motion Reloads on the TipHolder

Prerequisites

- Tray and pipette tips are not damaged.

1. Place the tray on the TipHolder.

The notch in the tray is on the labeled side of the TipHolder.

2. Place the TipHolder on an epMotion worktable location with the label pointing toward the front.

3.1.2 Equipping the epBlue worktable

The equipment of the epBlue worktable depends on the software version of the epMotion.

Size of the pipette tips	Labware definitions in epBlue version < 40.5	Labware definitions in epBlue version > 40.5
10 µL	<ul style="list-style-type: none"> • epBlue version < 40.5 does not support 10 µL pipette tips. 	<p>The labware definition contains the dimensions of the TipHolder and the tray. A separate labware definition is available for all types of epT.I.P.S. Motion Reloads.</p> <ul style="list-style-type: none"> • epT.I.P.S. Motion Reloads xx µL: labware definition <i>Reloads_tipxx</i>
50 µL	<ul style="list-style-type: none"> • Height adapter 40 mm: labware definition <i>Adap_40</i> • epT.I.P.S. Motion Rack 50 µL: labware definition <i>tip50</i> 	
300 µL	<ul style="list-style-type: none"> • Height adapter 40 mm: labware definition <i>Adap_40</i> • epT.I.P.S. Motion Rack 50 µL: labware definition <i>tip300</i> 	
1000 µL	<ul style="list-style-type: none"> • epT.I.P.S. Motion Rack 1000 µL: labware definition <i>tip1000</i> 	

3.2 Inserting epT.I.P.S. Motion Reloads in the epMotion 96

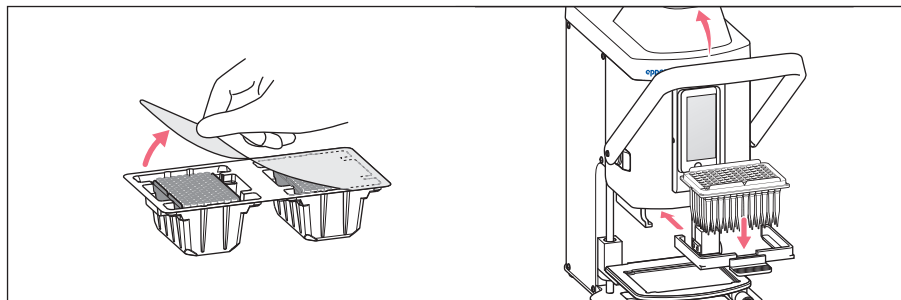


Fig. 3: Inserting tray with epT.I.P.S. Motion Reloads in the epMotion 96

Prerequisites

- Tray and pipette tips are not damaged.

1. Pull the lever forward.
2. Remove the loading frame from the device.
3. Insert the tray with pipette tips into the loading frame.
The notch in the tray points to the handle of the loading frame.
4. Insert the charging frame.
5. Press the lever backward.

4 Technical data

4.1 Material

Pipette tips	Polypropylene (PP)
Filters of the pipette tips	Polyethylene (PE)
Trays	Polypropylene (PP)
Protective foil of the racks	Polyethylene (PE)

4.2 Ambient conditions

Ambience	Only for use in indoors.
Ambient temperature	5 °C – 40 °C
Relative humidity	10 % – 95 %, non-condensing
Atmospheric pressure	79.5 kPa – 106 kPa

Instructions for use

epT.I.P.S. Motion Reloads

English (EN)

4.3 Storage

Racks, SafeRacks and Reloads must be placed on the underside for storage. This ensures that the pipette tips are fastened in the trays.

Temperature for storage in transport packing	-20 °C – 55 °C
Temperature for storage without transport packing	-5 °C – 45 °C
Relative humidity	10 % – 95 %
Atmospheric pressure	70 kPa – 106 kPa

5 Ordering information

Order no. (International)	Description
0030 014.553 0030 014.561	epT.I.P.S. Motion Filter Reloads 10 µL 12 × 2 trays with 96 tips each PCR clean PCR clean and Sterile
0030 014.421	epT.I.P.S. Motion Reloads 50 µL 12 × 2 trays with 96 tips each Eppendorf Quality
0030 014.464	epT.I.P.S. Motion Reloads 300 µL 12 × 2 trays with 96 tips each Eppendorf Quality
0030 014.502	epT.I.P.S. Motion Reloads 1 000 µL 12 × 2 trays with 96 tips each Eppendorf Quality
0030 014.545	epT.I.P.S. Motion Reloads 10 µL 12 × 2 trays with 96 tips each Eppendorf Quality
0030 014.430 0030 014.529	epT.I.P.S. Motion Filter Reloads 50 µL 12 × 2 trays with 96 tips each PCR clean PCR clean and Sterile
0030 014.537 0030 014.472	epT.I.P.S. Motion Filter Reloads 300 µL 12 × 2 trays with 96 tips each PCR clean and Sterile PCR clean
0030 014.510	epT.I.P.S. Motion Filter Reloads 1 000 µL 12 × 2 trays with 96 tips each PCR clean
5075 751.399	TipHolder for epT.I.P.S. Motion Reloads

Your local distributor: www.eppendorf.com/contact

Eppendorf AG · 22331 Hamburg · Germany

eppendorf@eppendorf.com · www.eppendorf.com